

REV	DOCUMENT	CHANGED BY	CHECK
1	DR-5299-5	SAV 21DEC99	JAF
2	CO-96056	SAV 13 MAR 00	SAV
3	PR-24412	TSM 15MAR00	SAV
4	201747	LJK 21NOV00	SAV

### ELECTRICAL CHARACTERISTICS

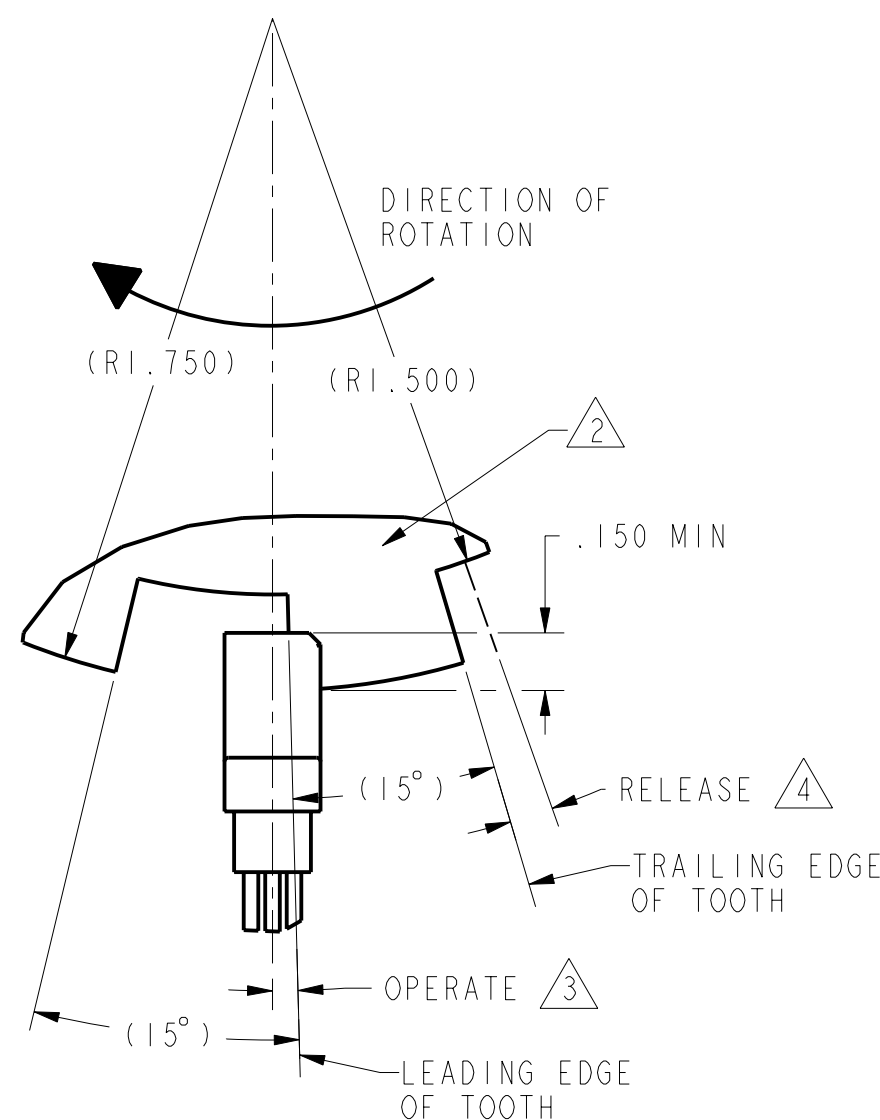
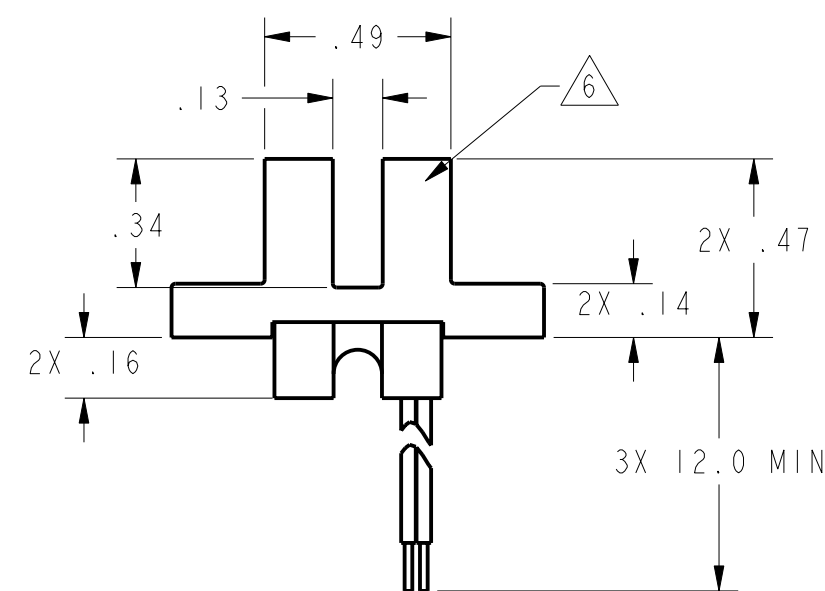
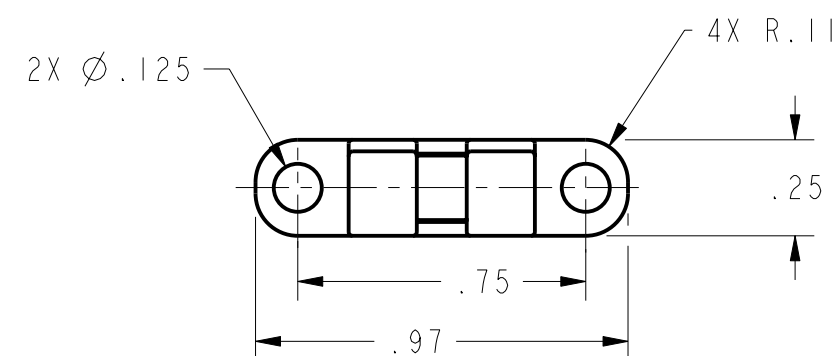
	CONDITION	
SPECIFIED VOLTAGE RANGE		3.8 TO 30 VDC
MAX I <sub>off</sub>	V <sub>cc</sub> =30V, I <sub>sink</sub> =20mA, -20°C<T<85°C, B>MAX OP	9.0 mA
MAX I <sub>on</sub>	V <sub>cc</sub> =30V, I <sub>sink</sub> =20mA, -20°C<T<85°C, B>MAX OP	10.0 mA
RATED SINK CURRENT		20 mA
MAX V <sub>sat</sub>	V <sub>cc</sub> =3.8V, I <sub>sink</sub> =20mA, B>MAX OP	0.4 V
MAX LEAKAGE CURRENT	V <sub>out</sub> =30V, V <sub>cc</sub> =24V, B<MIN REL	10 μA
RISE TIME 10% TO 90%	T=25°C, V <sub>cc</sub> =12V, R <sub>2</sub> =1.6 kΩ, C <sub>2</sub> =20pf	1.5 μS
FALL TIME 90% TO 10%	T=25°C, V <sub>cc</sub> =12V, R <sub>2</sub> =1.6 kΩ, C <sub>2</sub> =20pf	1.5 μS

### OPERATING SPECIFICATIONS 2/5

	LIMIT	CONDITIONS
OPERATE <span style="border: 1px solid black; padding: 2px;">3</span>	1.5°±2.0°	TARGET ENGAGEMENT .150 TO .300 RPM 0 TO 5000
RELEASE <span style="border: 1px solid black; padding: 2px;">4</span>	3.0°±2.5°	SLOT DEPTH .250 MIN

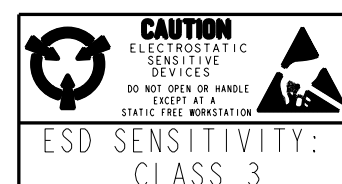
### ABSOLUTE MAXIMUM RATINGS

TEMPERATURE	-20°C TO +85°C
SUPPLY VOLTAGE (V <sub>s</sub> )	3.8 VDC TO 30 VDC
VOLTAGE EXTERNALLY APPLIED TO OUTPUT	-0.5 TO +30 VDC
OUTPUT CURRENT	50 mA
MAGNETIC FLUX	NO LIMIT, CIRCUIT CANNOT BE DAMAGED BY MAGNETIC OVERDRIVE



#### NOTES

- 1 - MOUNTING SPECIFICATION: NON-FERROUS #4 MACHINE HEAD SCREWS WITH .25 OD WASHERS TORQUED TO 3-5 INCH LBS.
- 2 SUGGESTED TARGET CONFIGURATION, MATERIAL: .045 LOW CARBON STEEL, HIGH PERMEABILITY, LOW RESIDUAL INDUCTION
- 3 OPERATE (DEGREES) IS THE ANGULAR DISTANCE FROM THE LEADING EDGE OF THE TOOTH TO THE CENTERLINE OF THE SENSOR
- 4 RELEASE (DEGREES) IS THE ANGULAR DISTANCE FROM THE TRAILING EDGE OF THE TOOTH TO THE CENTERLINE OF THE SENSOR
- 5 OPERATING SPECIFICATION IS BASED ON TARGET SHOWN AND WILL VARY WITH TARGET GEOMETRY
- 6 HONEYWELL PART NUMBER AND DATE CODE, ANY SURFACE



UNLESS OTHERWISE SPECIFIED TOLERANCES ARE:		<input checked="" type="checkbox"/> US (inch) CUSTOMARY	<input type="checkbox"/> SI (mm) METRIC	DRAWN	SAV	21DEC99	<b>Honeywell</b> Sensing and Control				
NO PLACE	X	±.040	±1	CHECK	JAF	21DEC99					
ONE PLACE	.X	±.030	±0.4	THIS DRAWING COVERS A PROPRIETARY ITEM AND IS THE PROPERTY OF HONEYWELL SENSING AND CONTROL. THIS DRAWING IS NOT TO BE COPIED OR USED WITHOUT THE PERMISSION OF HONEYWELL.				TITLE	<b>VANE SENSOR (MAGNETIC)</b>		
TWO PLACE	.XX	±.015	±0.15					SIZE			DWG TYPE
THREE PLACE	.XXX	±.005	±					<b>C</b>	<b>M</b>	<b>SR16C-J6</b>	<b>4</b>
ANGLES		±	±					DIMENSIONS ARE TO BE MET BEFORE PROTECTIVE COATINGS ARE APPLIED		SCALE 2 : 1	WEIGHT
RAW MATERIAL-COMMERCIAL STANDARD				3D PTC	ASME Y14.5M-1994						
THIRD ANGLE PROJECTION											